

Manual Tomato Squeezer

ITEM: 21105



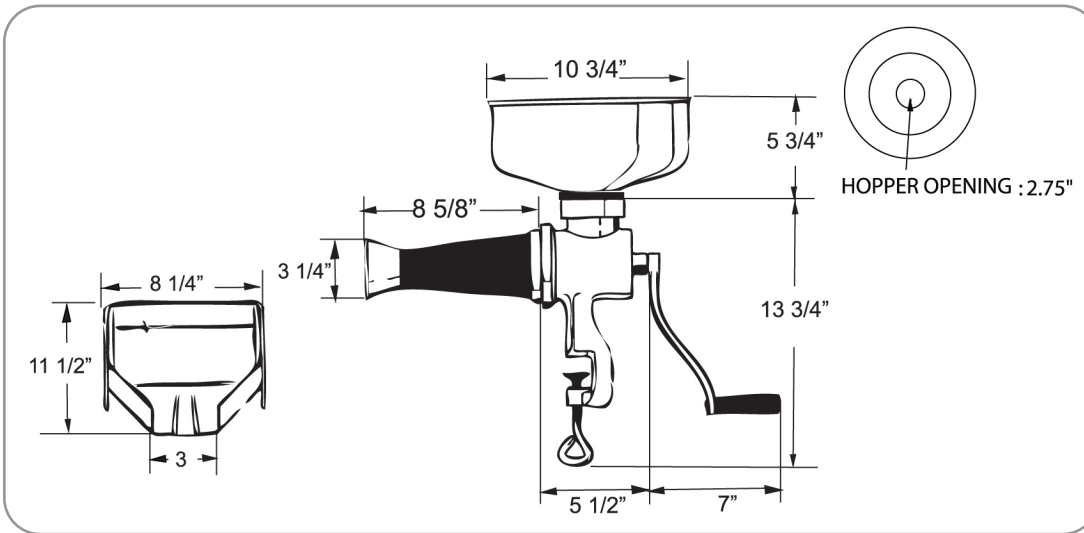
Reliable and easy to use

Trento's manual tomato squeezer enables the extraction of large quantities of tomato puree, separating it from seeds and skin without the need for a motorized unit. Suitable for light-duty applications.

Technical Specification

Item	21105
Net Weight	10 lb. (4.5 kg.)
Net Dimensions (WDH)	14.13" x 10.75" x 19.5" (358 x 273 x 495 mm)
Gross Weight	12 lb. (5.4 kg.)
Gross Dimensions (WDH)	14" x 16" x 10" (355 x 406 x 254 mm)

TECHNICAL DRAWINGS AND DIMENSIONS



FEATURES:

- Hopper, collector and base are all stainless steel
- Worm made from plastic
- Cast-iron body with double hot tinning